

SupIR 35-690mm f/4.0*, Motorized Continuous Zoom 680294 / 680295



**HD
FORMAT**

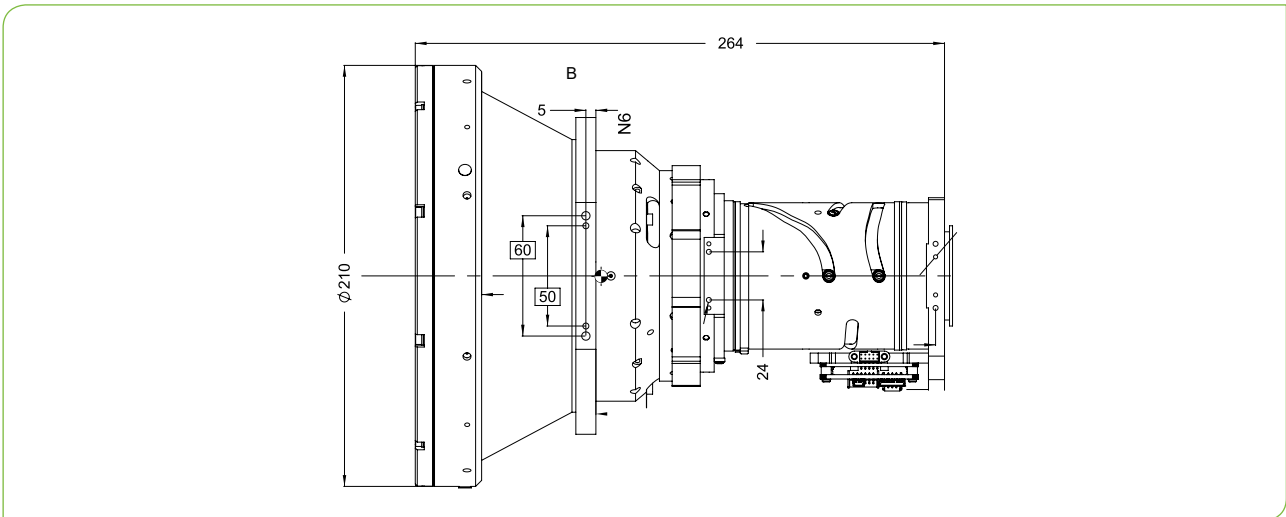
WFOV (35mm)	
HFOV	640x512
15μ	15.2°
10μ	-

WFOV (60mm)	
HFOV	1280X1024
10μ	11.5°

NFOV (690mm)		
HFOV	640x512	1280X1024
15μ	0.8°	
10μ	-	1.0°

Property		Value	
Optical		WFOV	NFOV
Focal Length		35mm	690mm
F/#		4.0	
Average transmission (3.4-5μm)		85% (HD) / 82% (HC)	
680294	Based on Zoom Lens:	15-300mm f/4 680084-003	
	Cold stop to FPA Distance	19.4mm	
	Cold Stop CA	Ø4.85mm	
	BFL	23.3mm (assuming 1.5mm Ge window & filter)	
680295	Based on Zoom Lens:	15-300mm f/4 680204-001 (for Scorpio detector)	
	Cold stop to FPA Distance	20.47mm	
	Cold Stop CA	Ø5.1	
	BFL	26.6mm (assuming 1mm Si window & 0.3mm Ge cold filter)	
Minimum Focus Range		5m	200m
Nuc (by defocus)		Yes	
Mechanical			
Focus Mechanism		Motorized	
Focus Time (minimum range to ∞)		≤1 sec.	
Zoom Mechanism		Motorized	
Zoom Time (NFOV to WFOV)		≤7 sec. at -32°C; ≤5 sec. at T ≥ 0°C	
Through-zoom boresight		Within a radius of 0.35 mm at the focal plane along the full zoom range	
NFOV boresight retention		Within a radius of 0.35mm at the focal plane	
Through-zoom parfocality		Focused image	
Weight		4kg	
Max. Dimensions		Ø210mm x 264mm	

* For 10μm SXGA detectors, the EFL is 60-690mm



MWIR | ZOOM

Property		Value			
Electrical					
Lens Control		Designated lens controller			
Supply Voltage		12V			
Current Consumption		0.5A average, 1.0A peak			
Communication Protocol		RS422			
Environmental					
Operation Temperature		-32°C to +75°C			
Storage Temperature		-54°C to +85°C			
Sealing		IP 67 front element only			
Configurations	Description	FPA	Pixel Pitch	CSH	Coating
680294-001	35-690mm	640x512	15µ	19.4mm	Hard Carbon
680294-002					Low Reflection Hard Carbon**
680294-003	60-690mm	1280x1024	10µ		Hard Carbon
680294-004					Low Reflection Hard Carbon**
680294-006	60-690mm	1280x1024	10µ	High Durability Hydrophobic	
680294-007				Hard Carbon Hydrophobic	
680295-001	35-690mm	640x512	15µ	20.5mm	Hard Carbon
680295-002					Low Reflection Hard Carbon**
680295-003	60-690mm	1280x1024	10µ		Low Reflection Hard Carbon**
680295-005					High Durability Hydrophobic
680295-006	60-690mm	1280x1024	10µ		Hard Carbon Hydrophobic
680295-006					Hard Carbon Hydrophobic

* NOTE: The ICD drawing provided here is primarily a representation and may not accurately reflect the product's actual dimensions and specifications. For precise integration specifications contact your local sales representative.

** For detailed LRHC coating specifications see page 13